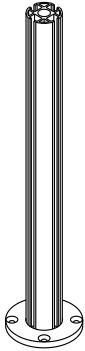


Part Check-List

①



x2

②



x8

③



x1

④



x2

⑤



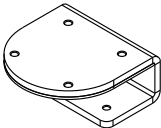
x2

⑥



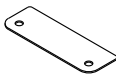
x4

⑦



x2

⑧

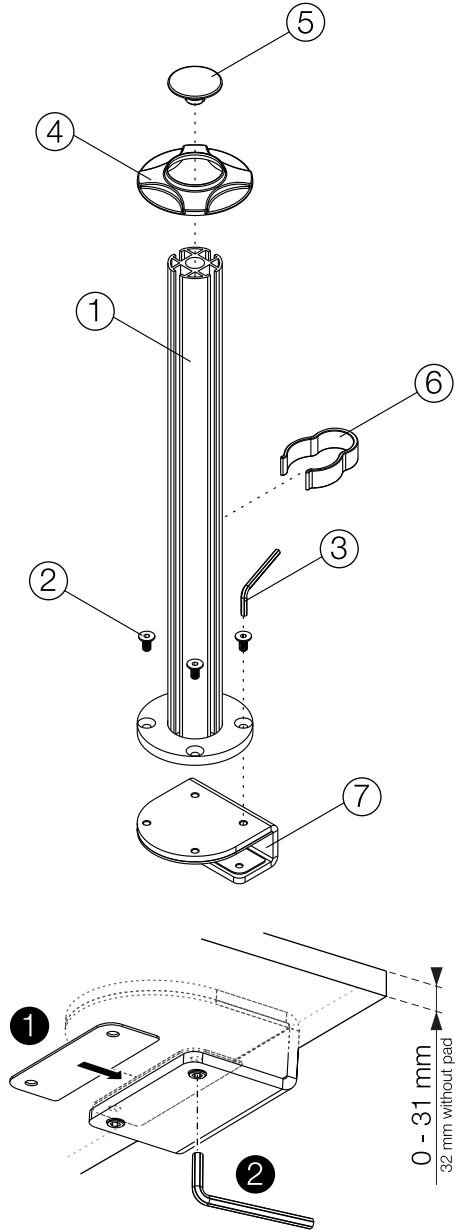


x2

⑨



x4



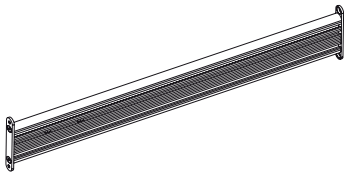
0 - 31 mm
32 mm without pad

User Manual

436-FX100 /
436-FX145 /
436-FX160

Part Check-List

①



x1

②



*(436-FX100) x5

*(436-FX145) x6

*(436-FX160) x8

③



(4 mm)

x1

④



x4

★ Cable clip amount varies depending on article number.

